



PROJECT TITLE:
EXTENSION OF RURAL HEALTH UNIT

LOCATION: CABATUAN, ILOILO

SEC. 33
DRAWINGS REPRESENTATIONS SHALL BE SIGNED & SEALED BY THE ARCHITECT OR ENGINEER RESPONSIBLE FOR THE PROJECT & DOCUMENTS OF THE ARCHITECT OR ENGINEER WHETHER THE OBJECT FOR WHICH THEY ARE MADE IS EXECUTED OR NOT. IT SHALL BE UNLAWFUL FOR ANY PERSON, WITHOUT THE WRITTEN CONSENT OF THE ARCHITECT OR ENGINEER OF SAID DOCUMENTS TO DUPLICATE OR TO MAKE COPIES OF SAID DOCUMENTS TO BE USED FOR THE EXECUTION OF SAID PROJECT OR OTHER PROJECTS OF BUILDINGS, WHETHER EXECUTED PARTIALLY OR IN WHOLE.

R.A. 9286

PREPARED BY:
JOSE JOEL S. PARIS, JR.
BUILDING INSPECTOR

CHECKED BY:
RIC ARMANDO D. VALENZUELA
MUNICIPAL ENGINEER

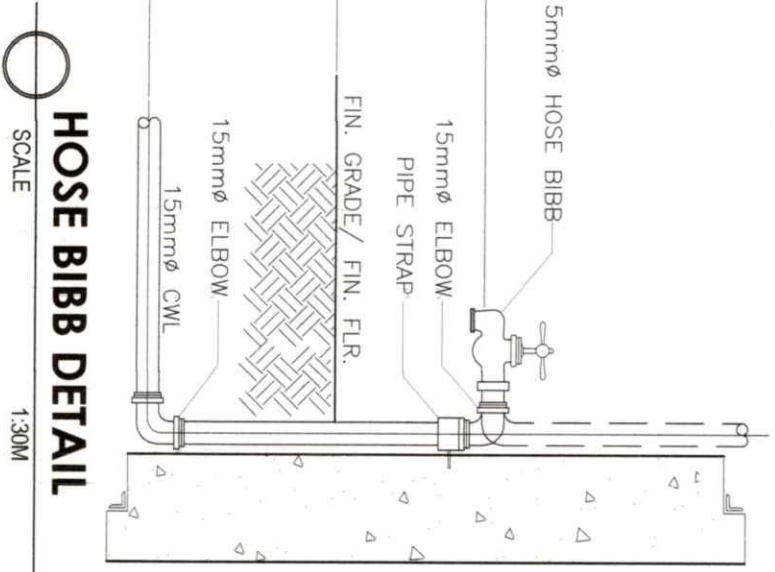
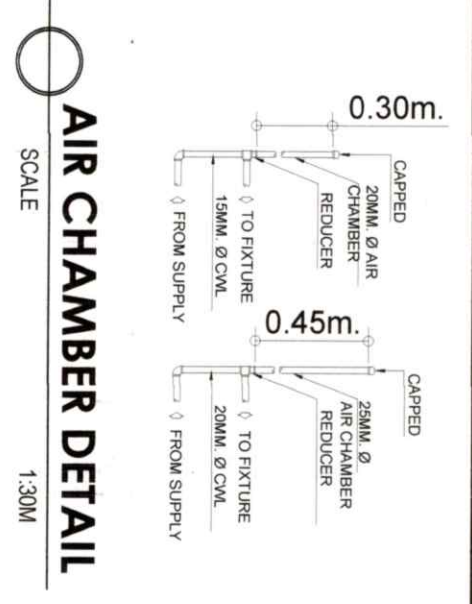
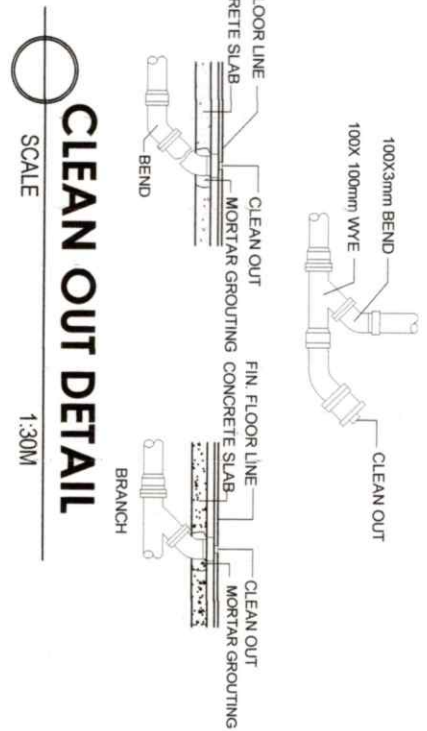
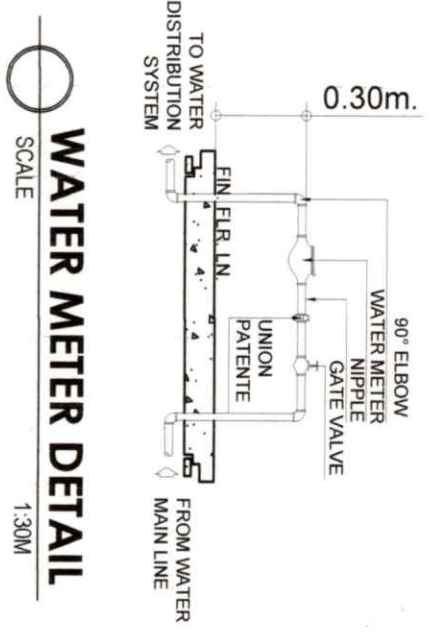
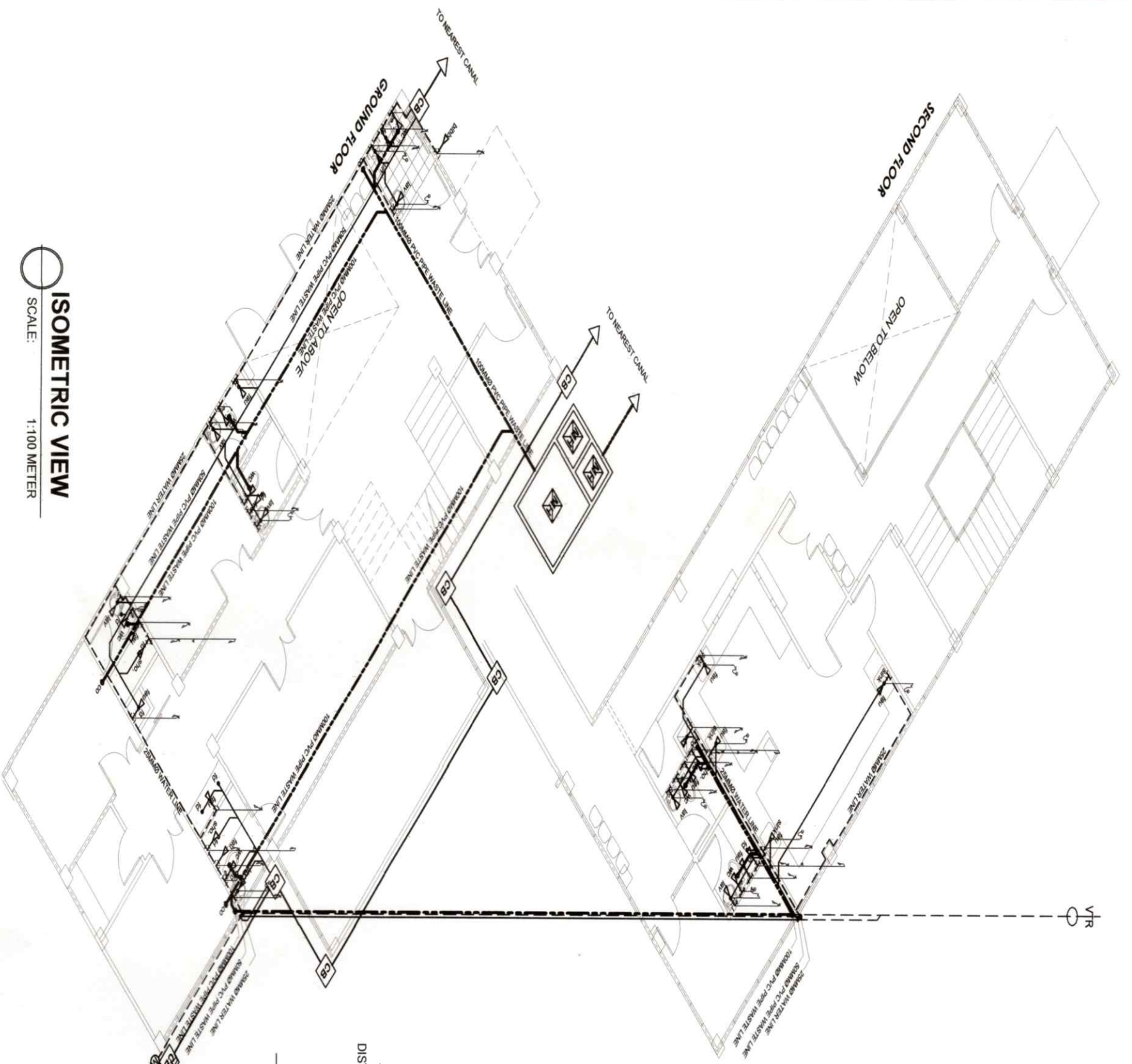
APPROVED BY:
HON. EMILBERTO D. PUYEYO
MUNICIPAL MAYOR

SHEET CONTENTS
AS SHOWN

SHEET NO.
P-3

Checked by: JOHN RIVEL CORTEZ
DATE:

ISOMETRIC VIEW
SCALE: 1:100 METER



REPUBLIC OF THE PHILIPPINES
OFFICE OF THE BUILDING
OFFICIAL
MUNICIPALITY OF CABATUAN

BUILDING OFFICIAL

SANITARY