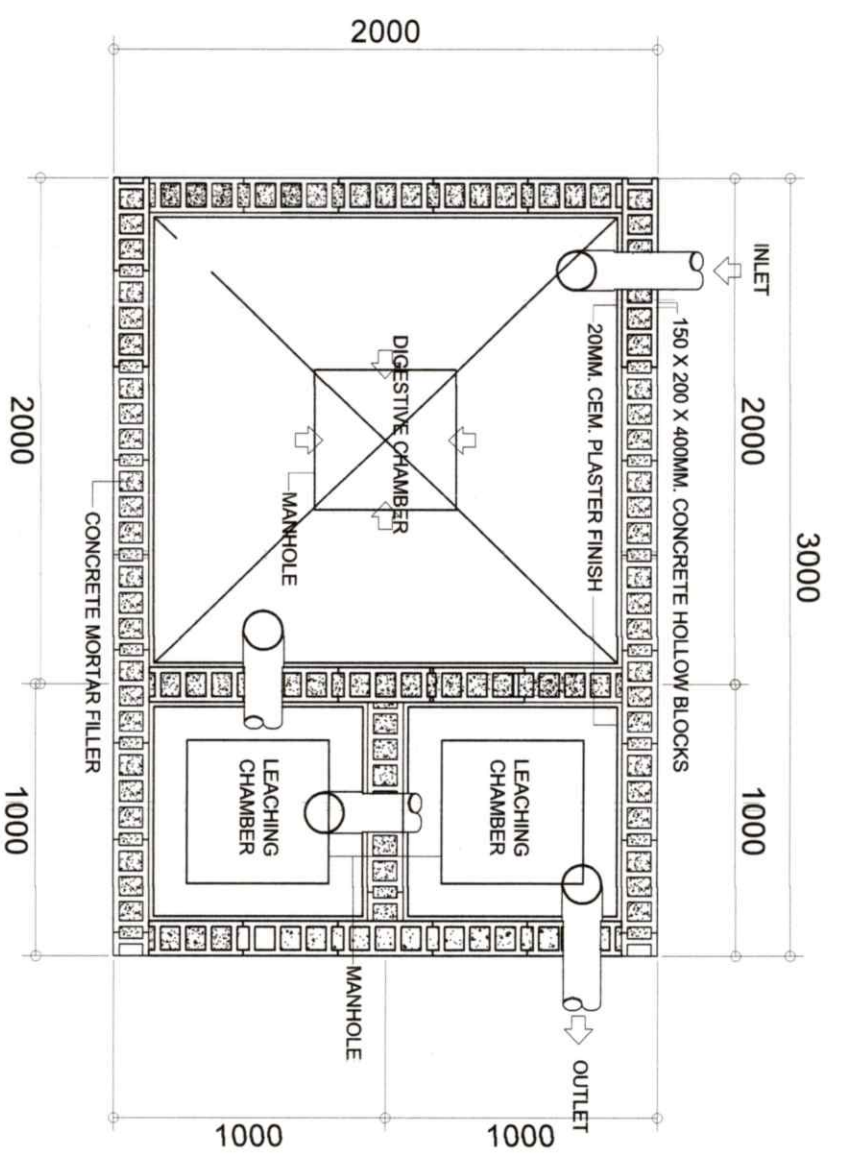
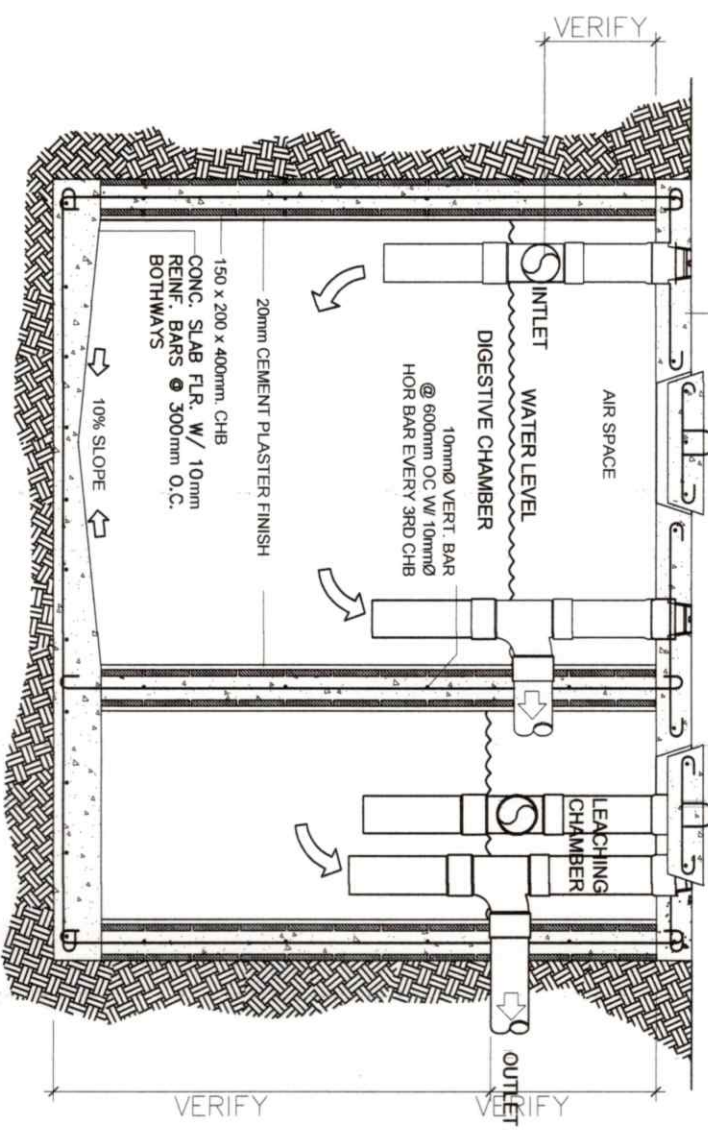


PLAN OF SEPTIC VAULT COVER



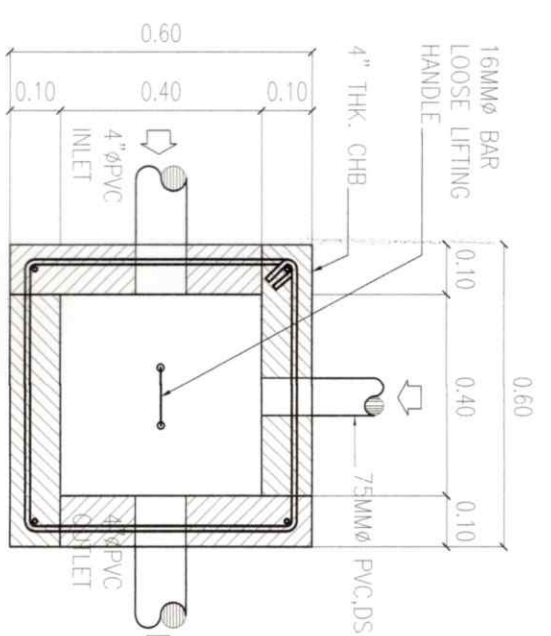
HORIZONTAL SECTION/PLAN



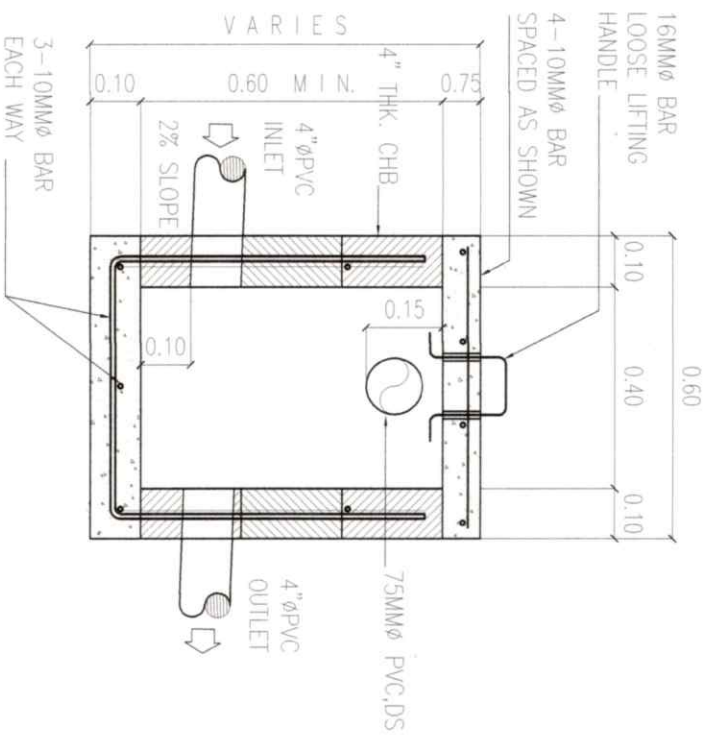
LONGITUDINAL SECTION

SEPTIC TANK DETAIL

DRAWN NOT TO SCALE



PLAN



SECTION

CATCH BASIN DETAIL

SCALE: 1 : 15 METERS



PROJECT TITLE: <b>EXTENSION OF RURAL HEALTH UNIT</b>	SEC. 33	R.A. 9266	PREPARED BY: <b>JOSE JOEL S. PARIS, JR.</b> BUILDING INSPECTOR	CHECKED BY: <b>RICARDO M. MALENZUELA</b> MUNICIPAL ENGINEER	APPROVED BY: <b>HON. ELIZABETH G. PUYO</b> MUNICIPAL MAYOR	SHEET CONTENTS AS SHOWN	SHEET NO. <b>P-4</b>
LOCATION: CABATUAN, ILOILO	DRAWINGS SPECIFICATIONS DULY SIGNED & SEALED OR STAMPED, AS AN INSTRUMENTS OF SERVICE, ARE THE PROPERTY & DOCUMENTS OF THE ARCHITECT. WHETHER THE OBJECT FOR WHICH THEY ARE MADE IS EXECUTED OR NOT, IT SHALL BE UNLAWFUL FOR ANY ARCHITECT, ENGINEER, SURVEYOR, OR ANY OTHER ARCHITECT OR AUTHOR OF SAID DOCUMENTS TO DUPLICATE OR TO MAKE COPIES OF SAID DOCUMENTS FOR USE IN THE REPRODUCTION OF AND FOR OTHER PROJECTS OF BUILDINGS, WHETHER EXECUTED PARTLY OR IN WHOLE.						CADD by: JOHN ROVEL CORTIZ Checked by: DATE:

REPUBLIC OF THE PHILIPPINES  
OFFICE OF THE BUILDING  
OFFICIAL  
MUNICIPALITY OF CABATUAN

BUILDING OFFICIAL

SANITARY