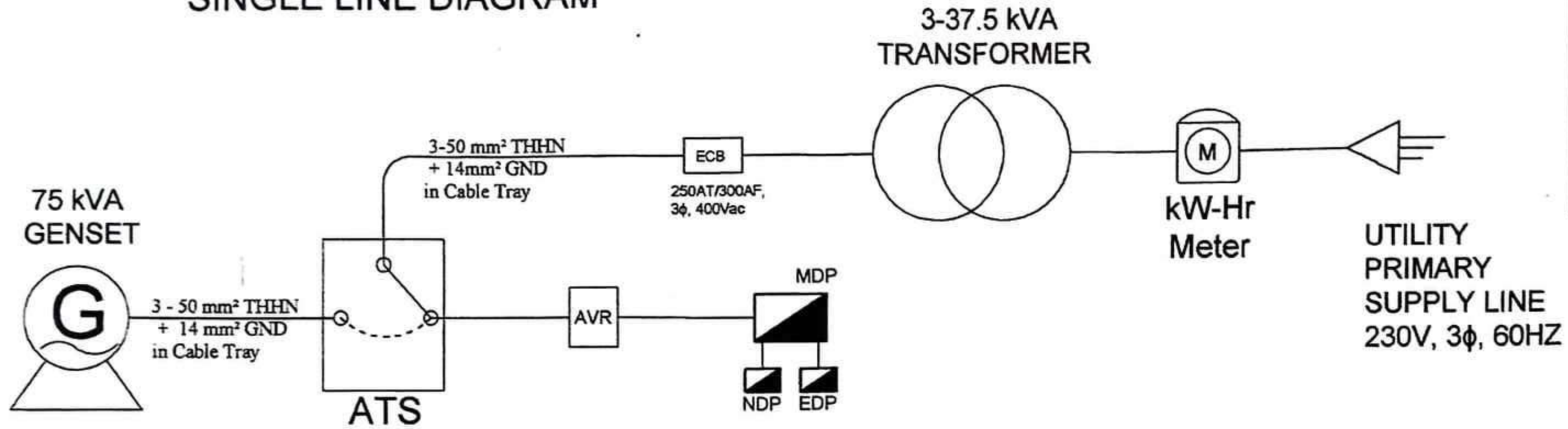
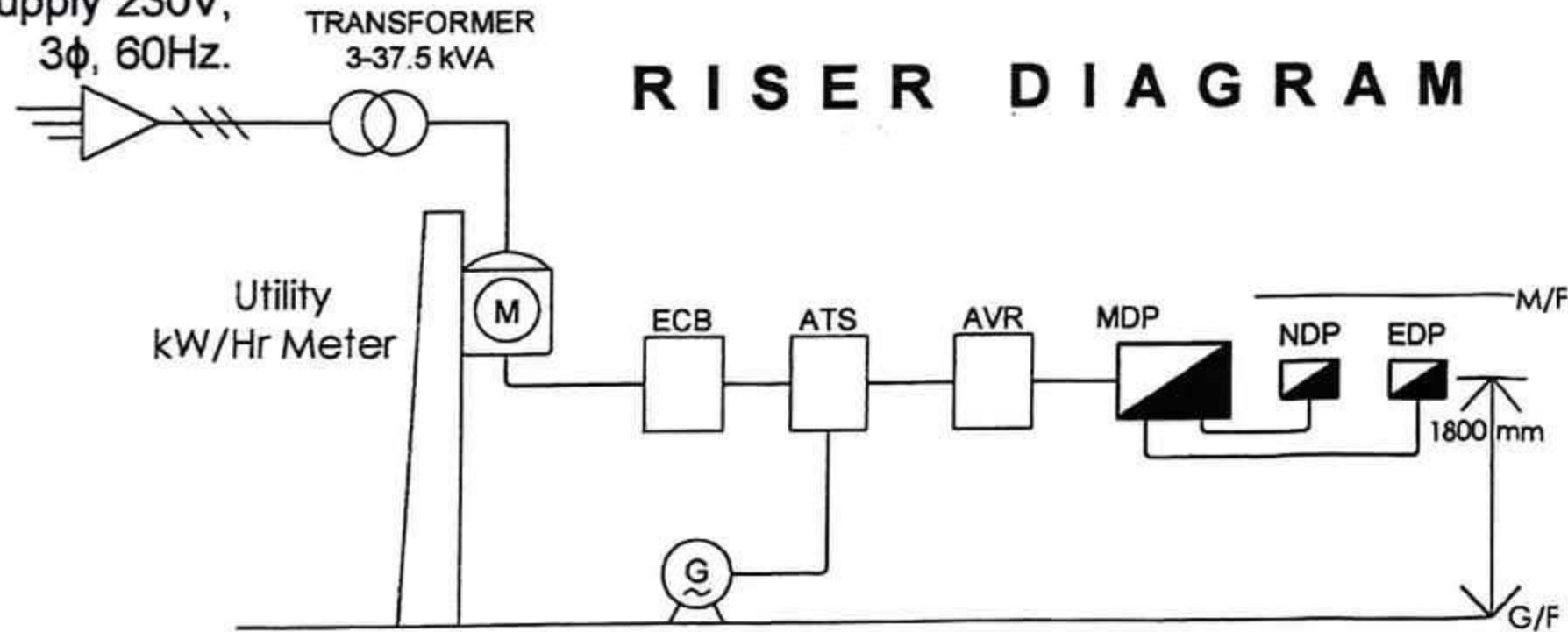


SINGLE LINE DIAGRAM



REPUBLIC OF THE PHILIPPINES PROVINCE OF ILOILO OFFICE OF THE BUILDING OFFICIAL
MUNICIPALITY OF CABATUAN
ELECTRICAL

Utility Power Supply 230V, 3φ, 60Hz.



RISER DIAGRAM

GENERAL NOTES:

1. ALL ELECTRICAL WORKS HEREIN INCLUDED SHALL BE EXECUTED IN ACCORDANCE WITH THE PROVISION OF THE LATEST EDITION OF THE PHILIPPINES ELECTRICAL CODES, THE RULES AND REGULATIONS OF THE LOCALITY AND THE REQUIREMENTS OF THE POWER COMPANY
2. ALL ELECTRICAL WORKS HEREIN SHALL BE EXECUTED BY EXPERIENCE MEN UNDER THE DIRECT SUPERVISION OF A DULY LICENSED ELECTRICAL ENGINEER OR A MASTER ELECTRICIAN. WORKS SHALL BE NEATLY PLACED, SECURELY FASTENED AND PROPERLY FINISHED.
3. TYPE OF SERVICE ENTRANCE SHALL BE THREE-PHASE, 3-WIRES 240VAC, 60HZ.
4. MATERIALS SHALL BE NEW AND SHALL CONFORM WITH THE STANDARD AMERICAN UNDERWRITERS' LABORATORIES INC., IN EVERY CASE WHERE SUCH STANDARDS HAS BEEN ESTABLISHED FOR THE THE PARTICULAR TYPE OF MATERIALS IN QUESTIONS.
5. ALL CONDUITS SHALL BE ELECTRICAL POLYVINYL TUBING (PVC) SHALL BE USED OR AS INDICATED IN THE PLANS.
6. ELECTRICAL TRADE SIZE SHALL BE USED, MINIMUM OF 20mmØ IN CONDUITS AND IN NO CASE SHALL THERE BE MORE THAN THE EQUIVALENT OF FOUR (4) QUARTER BENDS IN ANY ONE (1) RUN.
7. ALL CONDUITS SHALL BE PROTECTED AGAINST DAMAGES BY THE ENTRANCE OF WATER AND FOREIGN MATTERS DURING CONSTRUCTION, ALL ENDS OF CONDUITS SHALL BE PLUGGED TO EXCLUDE MOISTURE AND DUST IMMEDIATELY AFTER CONDUITS ARE PLACED.
8. PROVIDE ADEQUATE AND EFFECTIVE GROUNDING SYSTEM.
9. POWER CABLE FROM POWER HOUSE RUNS THROUGH CABLE TRAY ALONG WITH THE COVER WALKWAY.

2023 -- No. 215



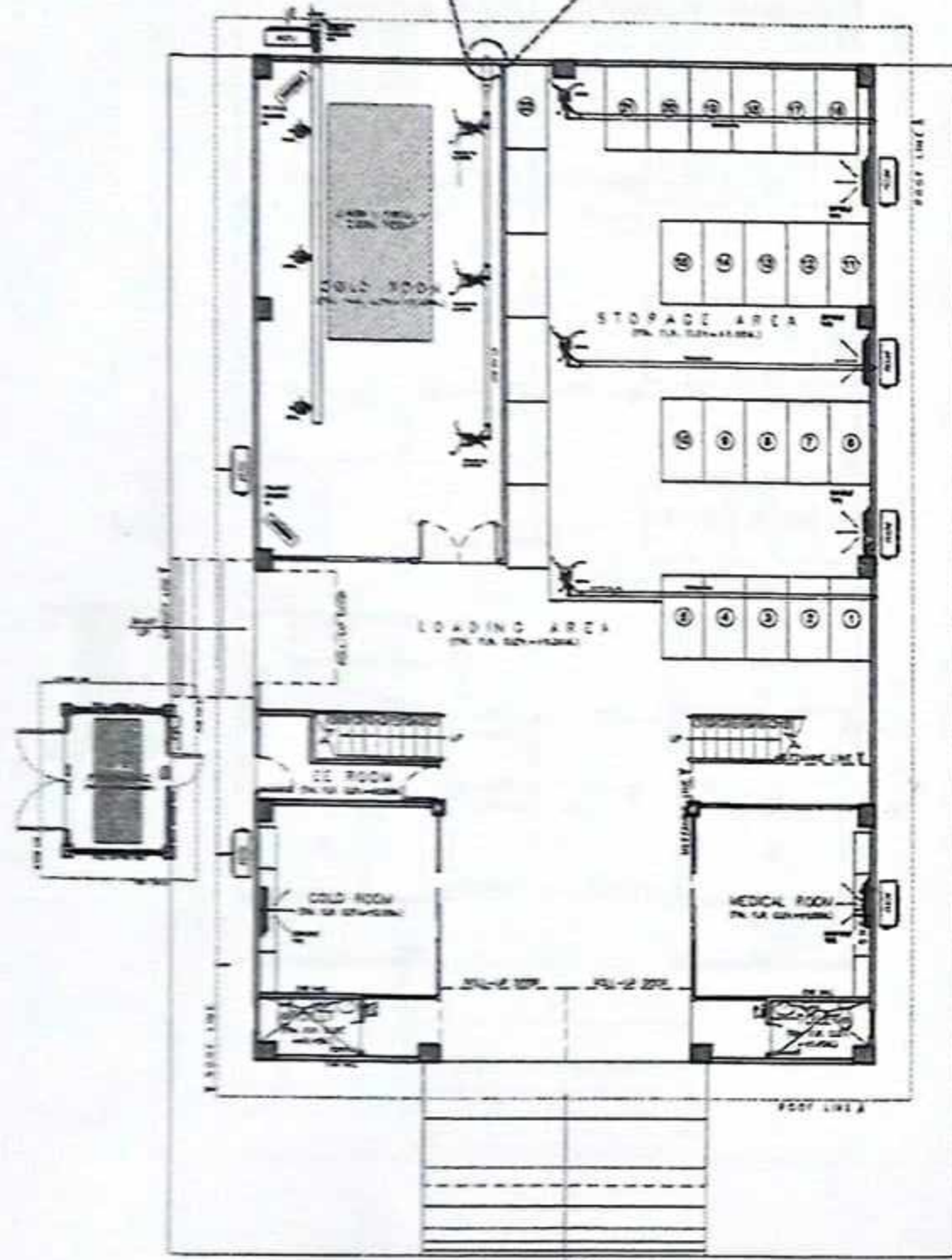
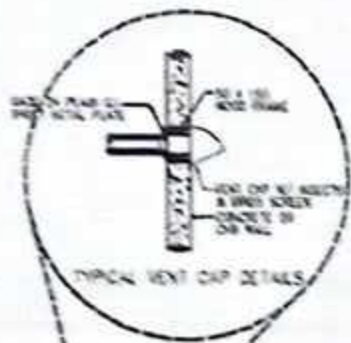
PROJECT TITLE: PROPOSED PROVINCIAL PHARMACEUTICAL AND LOGISTIC COMPLEX AT RAMON TABIANA MEMORIAL DISTRICT HOSPITAL	SEC. 33 DRAWINGS, SPECIFICATIONS DULY SIGNED & SEALED OR STAMPED, AS INSTRUMENTS OF SERVICE, ARE THE PROPERTY & DOCUMENTS OF THE ARCHITECT. WHETHER THE OBJECT FOR WHICH THEY ARE MADE IS EXECUTED OR NOT, IT SHALL BE UNLAWFUL FOR ANY PERSON, WITHOUT THE WRITTEN CONSENT OF THE ARCHITECT OR AUTHOR OF SAID DOCUMENTS TO DUPLICATE OR TO MAKE COPIES OF SAID DOCUMENTS FOR USE IN THE REPRODUCTION OF AND FOR OTHER PROJECTS OF BUILDINGS, WHETHER EXECUTED PARTLY OR IN WHOLE.	R.A. 9266 PREPARED BY: JOSE JOEL S. PARIS, JR. BUILDING INSPECTOR	CHECKED BY: RIC ARMANDO T. VALENZUELA MUNICIPAL ENGINEER	APPROVED BY: HON. ELIZALDE G. PUEYO MUNICIPAL MAYOR	SHEET CONTENTS: AS SHOWN	SHEET NO.: E/6 21/25 CADD by: CORTZ Checked by: DATE:
LOCATION: CABATUAN, ILOILO						

GENERAL NOTES

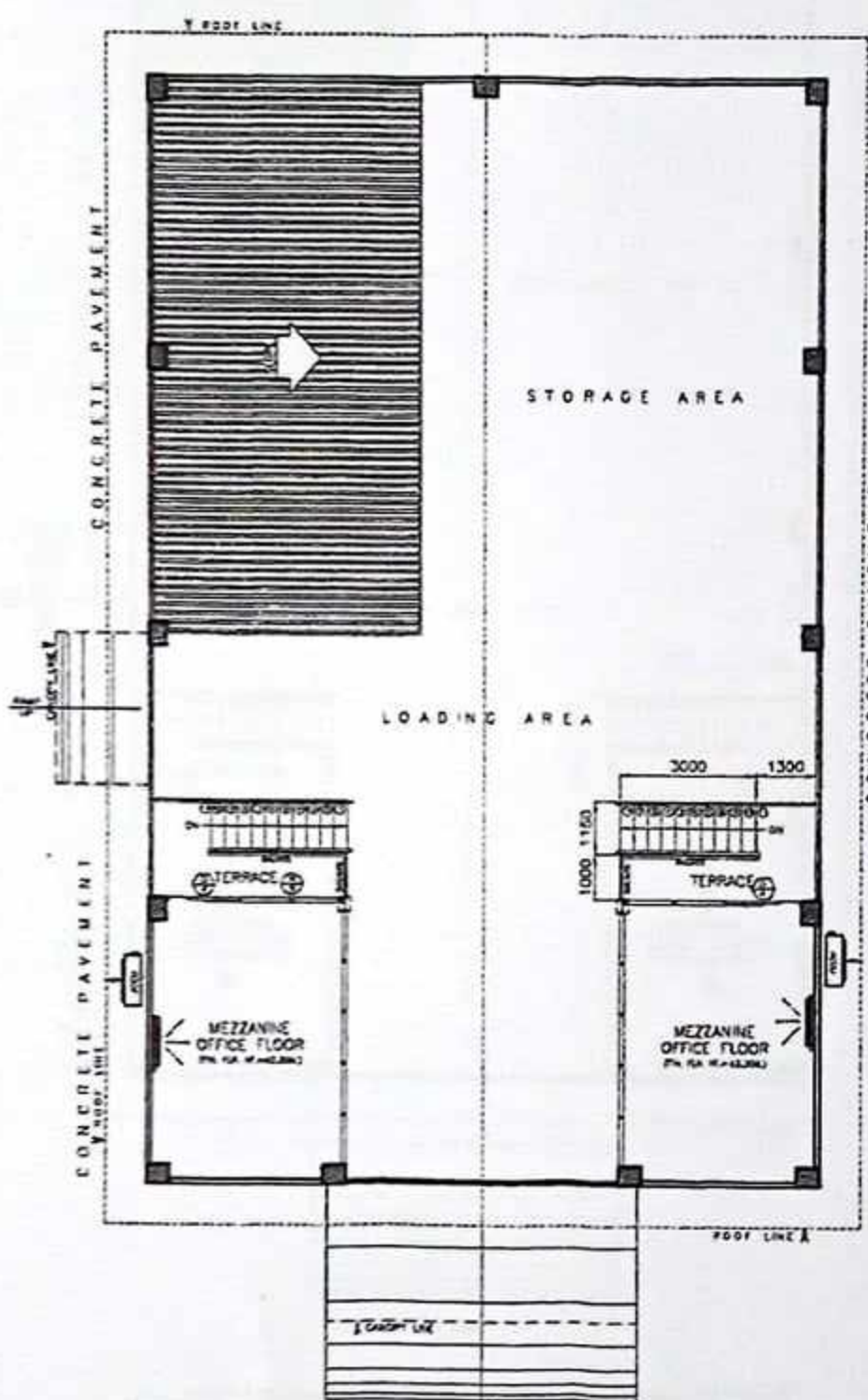
1. ALL EQUIPMENT SHALL BE INSTALLED IN APPROPRIATE LOCATION AS SHOWN ON THE DRAWINGS.
2. INSTALLATION OF ALL WORKS SHALL BE DONE IN A NEAT AND WORKMANLIKE MANNER, IMPROPERLY SETBACK OR FINISH AS DETERMINED BY THE ARCHITECT SHALL BE REMOVED AND REPLACED AT NO EXTRA COST.
3. ALL MATERIALS TO BE USED SHALL BE BRAND NEW & CLEAN.
4. DEVIATIONS AND REVISIONS FROM PLANS SHALL BE REFERRED TO THE ARCHITECT FOR REVIEW AND APPROVAL.
5. ALL NECESSARY GOVERNMENT PERMIT SHALL BE SECURED AND PAID FOR BY THE CONTRACTOR.
6. ALL DIMENSIONS ARE IN MILLIMETER UNLESS OTHERWISE SPECIFIED.
7. ALL MECHANICAL WORKS SHALL BE IN ACCORDANCE WITH THE LATEST MECHANICAL ENGINEER'S CODE AND ASHRAE STANDARD, LOCAL CODE OF CEBU CITY AND AREA MECHANICAL GUIDELINES.
8. MECHANICAL CONTRACTOR SHALL ALWAYS OBSERVE SAFETY AND ORDERLINESS.
9. MECHANICAL CONTRACTOR SHALL VERIFY SITE PRIOR TO ACTUAL INSTALLATION.
10. A/C DUCT INSULATION SHALL BE 25mm THICK FIRE RESISTANT STYROFOAM INSULATION WITH ALUMINUM FOIL VAPOR BARRIER.
11. CONDENSATE DRAIN LINES FROM FCU SHALL BE INSULATED WITH 12.5MM THICK CLOSED ELASTOMERIC FLOBER INSULATION WRAPPED WITH VAPOR BARRIER.
12. CHILLED WATER PIPING SHOULD BE INSULATED WITH 50MM THICK PE INSULATION WITH VAPOR BARRIER SIMILAR TO THE MATERIAL USED FOR THE STUB-OUTS TO ENSURE NO CONDENSATION ON THE PIPELINE SINCE THE SYSTEM IS A LOW TEMPERATURE.

LEGEND AND SYMBOLS

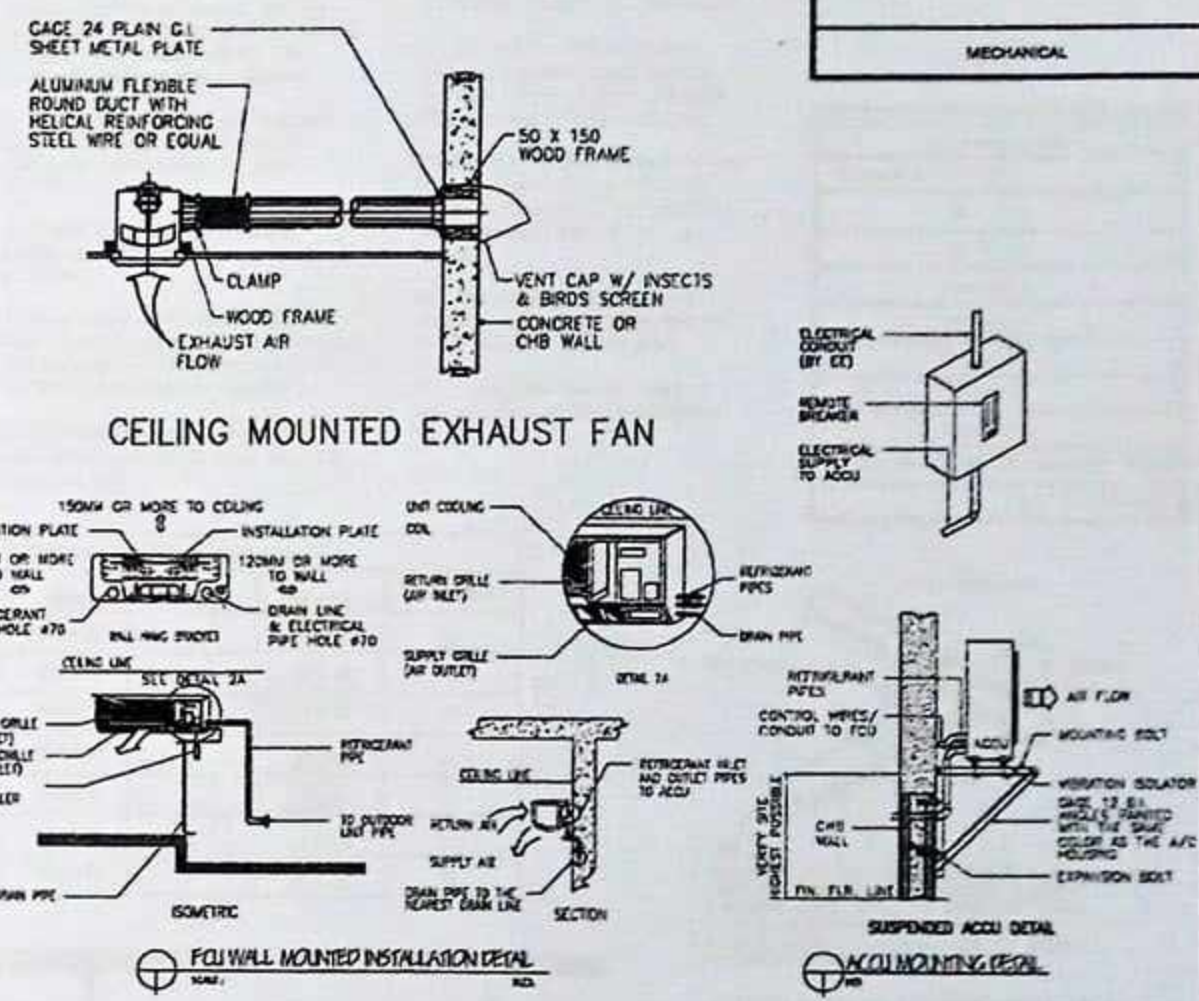
- | | |
|-------|--------------------------------|
| TR | TONS OF REFRIGERATION |
| KW | KILOWATTS |
| HP | HORSEPOWER |
| BTU/H | BRITISH THERMAL UNITS PER HOUR |
| CMH | CUBIC METER PER HOUR |
| CFM | CUBIC FEET PER MINUTE |
| SCD | SUPPLY CEILING DIFFUSER |
| AHU | AIR HANDLING UNIT |
| FAG | FRESH AIR GRILLE |
| RAG | RETURN AIR GRILLE |
| EAG | EXHAUST AIR GRILLE |
| FCU | FAN COIL UNIT |
| CHWP | CHILLED WATER PIPE |
| KEB | KITCHEN EXHAUST BLOWER |
| FAB | FRESH AIR BLOWER |
| FAD | FRESH AIR DIFFUSER |



GROUND FLOOR AIRCONDITIONING AND VENTILATION LAYOUT
SCALE: 1:100MTS



MEZZANINE FLOOR AIRCONDITIONING AND VENTILATION LAYOUT
SCALE: 1:100MTS



DESIGN ANALYSIS

1. COLD ROOM BIG = 749.24sq.ft
749.24sq.ft x 31.25 = 23,413.75BTU
5 persons occupants x 600 = 3,000BTU
Equipment 4000watts x 3.4 = 13,600BTU
Lighting 1000watts x 4.25 = 4250BTU
Total Heat Load = 23,413.75+3,000+13,600+4250
AC HP required = $\frac{44,263.75BTU}{12000}$
AC HP required = 3.688TR say Use 2 x 3TR AC

3. MEDICAL ROOM = 205.7sq.ft
205.7sq.ft x 31.25 = 6,428.125BTU
4 persons occupants x 600 = 2,400BTU
Equipment 1500watts x 3.4 = 5,100BTU
Lighting 1000watts x 4.25 = 4250BTU
Total Heat Load = 6,428.12+2,400+5,100+4250
AC HP required = $\frac{18,178.12BTU}{9000}$
AC HP required = 2.019HP say Use 2.5hp AC

2. COLD ROOM SMALL = 205.7sq.ft
205.7sq.ft x 31.25 = 6,428.125BTU
4 persons occupants x 600 = 2,400BTU
Equipment 1500watts x 3.4 = 5,100BTU
Lighting 1000watts x 4.25 = 4250BTU
Total Heat Load = 6,428.12+2,400+5,100+4250
AC HP required = $\frac{18,178.12BTU}{9000}$
AC HP required = 2.019HP say Use 2.5hp AC

4. MEZZANINE OFFICE FLOOR = 205.7sq.ft
205.7sq.ft x 31.25 = 6,428.125BTU
4 persons occupants x 600 = 2,400BTU
Equipment 1500watts x 3.4 = 5,100BTU
Lighting 1000watts x 4.25 = 4250BTU
Total Heat Load = 6,428.12+2,400+5,100+4250
AC HP required = $\frac{18,178.12BTU}{9000}$
AC HP required = 2.019HP say Use 2.5hp AC



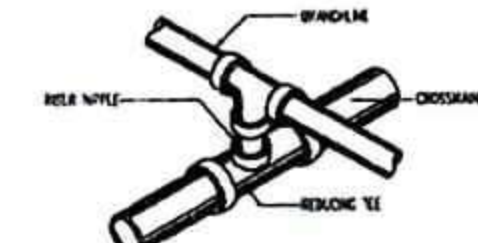
PROJECT TITLE: PROPOSED PROVINCIAL PHARMACEUTICAL AND LOGISTIC COMPLEX AT RAMON TABIANA MEMORIAL DISTRICT HOSPITAL	SEC. 33 DRAWINGS & SPECIFICATIONS DULY SIGNED & SEALED OR STAMPED AS AN INSTRUMENTS OF SERVICE ARE THE PROPERTY & DOCUMENTS OF THE ARCHITECT. WHATEVER THE OBJECT FOR WHICH THEY ARE MADE IS EXECUTED OR NOT, IT SHALL BE UNLAWFUL FOR ANY PERSON, WITHOUT THE WRITTEN CONSENT OF THE ARCHITECT OR AUTHOR OF SAID DOCUMENTS TO DUPLICATE OR TO MAKE COPIES OF SAID DOCUMENTS FOR USE IN THE REPRODUCTION OF AND FOR OTHER PROJECTS OF BUILDINGS, WHETHER EXECUTED PARTLY OR IN WHOLE.	R.A. 9266 PREPARED BY: JOSE JOEL S. PARIS, JR. BUILDING INSPECTOR	CHECKED BY: RIC ARMANDO T. MALENZUELA MUNICIPAL ENGINEER	APPROVED BY: HON. ELZALDE G. RUEYO MUNICIPAL MAYOR	SHEET CONTENTS: AS SHOWN	SHEET NO.: M/1 22/25
LOCATION: CABATUAN, ILOILO					CAOD by: CORTZ	Checked by: DATE:

GENERAL SPECIFICATION SCHEDULE OF PIPE FOR SPRINKLERHEAD:	
SPRINKLER PIPE SIZE	
25 MM. #	
32 MM. #	
40 MM. #	
50 MM. #	
65 MM. #	
75 MM. #	
100 MM. #	
FLOOR PLAN NO. OF SPRINKLER HEAD	23 SPRINKLERS

GENERAL NOTES

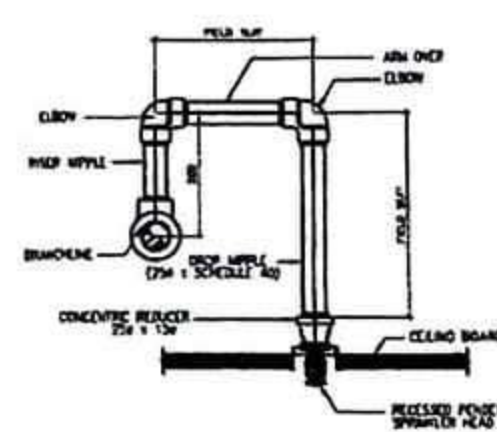
- All works shall be executed in coordination with the provisions of the fire code of the Philippines and the National Fire Code by NFA.
- All Pipes will be ERW ASTM Standard Schedule 40 and Sprinkler Heads will be UL/ETM Standard.
- The Fire Protection Contractor shall be fully responsible for the exact location and imension of all required wall and floor opening.
- Location and mounting of Fire Hose Cabinets shall be coordinated with the Architectural finishes and shall be subject to both the architects and the Fire protection design engineers approval.
- Pipe support, hangers and bracings shall be approved type and shall be independent from ceiling and duct support.
- Provide union at each traded or welded connection to equipment valves up to 50mm.
- Valve ratings shall meet or exceed their respective system operating pressure and temperature. All valves shall be in line size unless otherwise specified.
- Pipe shall be painted with one (1) coat primer and two (2) coats final (fire protection red).
- A minimum of 50mm clearance shall be provided around piping extended thru all floors, wallforms and foundation including drains and others auxiliary piping.
- Joint compound or tape shall be applied to the threads on the pipe and not in the fitting.
- All installation shall be Supervised by RML/PMC.
- Provide lateral and longitudinal sway brace per NFPA 13 requirements.
- Pipe hanger shall be designed such that it could support five (5) times the weight of the of the water filled pipe plus 114 kg. each point.
- Maximum distance between hangers shall not exceed 3.66m (12ft.) for 25mm & 32mm or 4.75m (15ft) for 38mm & larger diameter for piping support.
- Provided flange connection of crossmain pipe at maximum intervals of 12 meters on straight pipe.
- All installation will be tested at 200 psi above the required pressure for 24 hrs.

SCHEDULE OF PIPE BRACKET/BRACING			
PIPE SIZE	U-BOLDS	ANGLE IRON	SPACING/HEIGHT
25 mm Ø	10	30 X 30	10
32 mm Ø	10	30 X 30	10
40 mm Ø	10	30 X 30	10
50 mm Ø	10	30 X 30	10
65 mm Ø	10	30 X 30	10
75 mm Ø	10	30 X 30	10
100 mm Ø	12	45 X 45	12

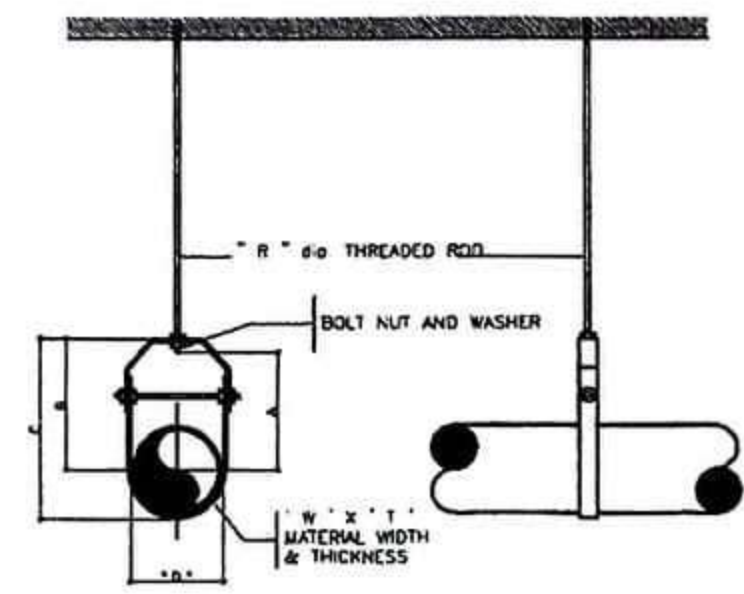


- NOTES:
- ALTERNATIVE CONNECTION IS THRU THE USE OF BORED HOLE BRANCH COUP. SIMILAR TO "MECHANICAL" MECHANICAL TEE OR CROSS IF MECHANICAL CROSSING IS USED, RISER PIPE IS NOT REQUIRED.
 - THE USE OF SOLDERED CROSS FITTING IS NOT ACCEPTABLE.
 - THE USE OF THREADLET OR WELDLET IS ACCEPTABLE PROVIDED THAT HOLE SIZE IS USED IN CUTTING HOLE THRU.

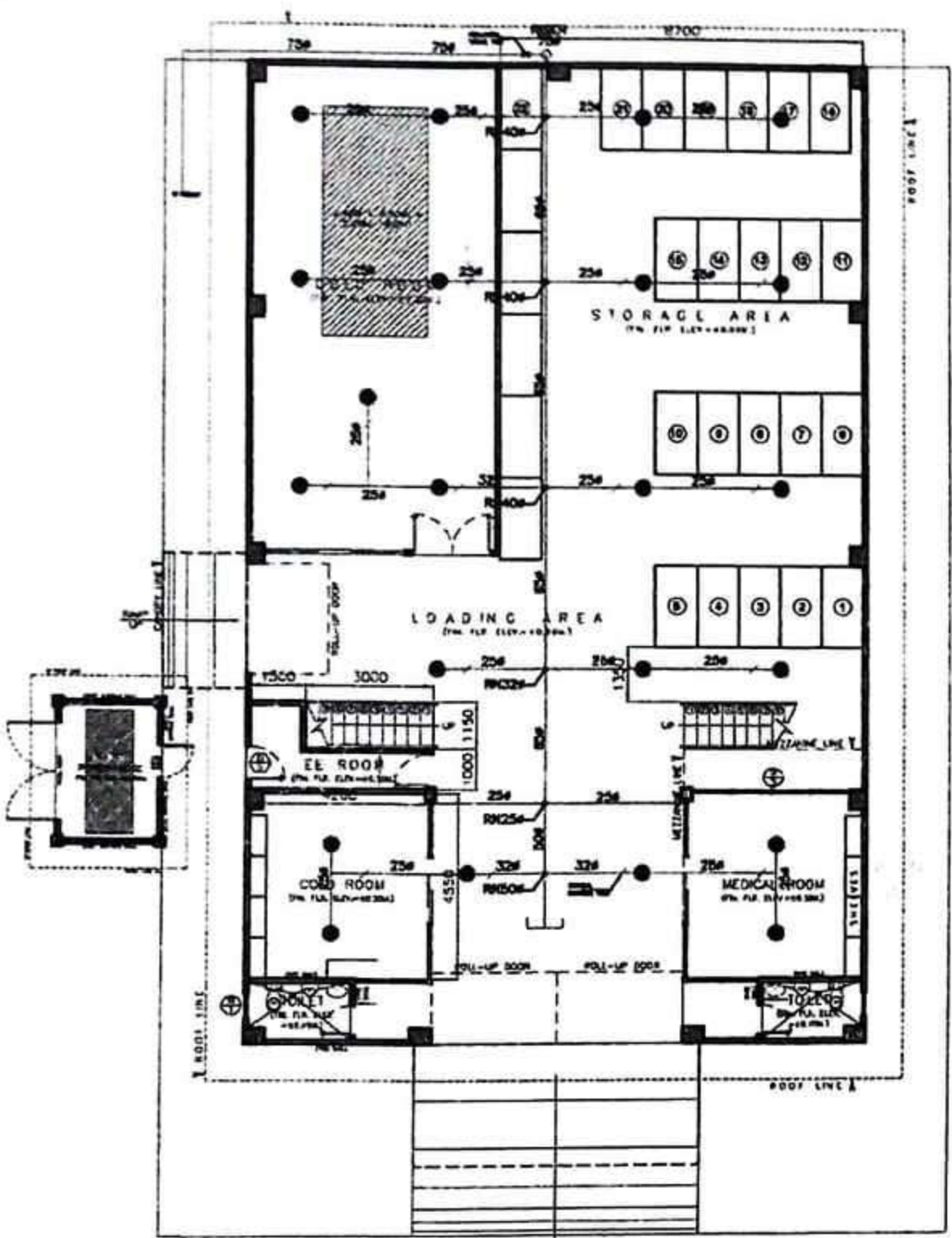
CROSSMAIN TO BRANCHLINE CONNECTION DETAIL
SCALE N.T.S.



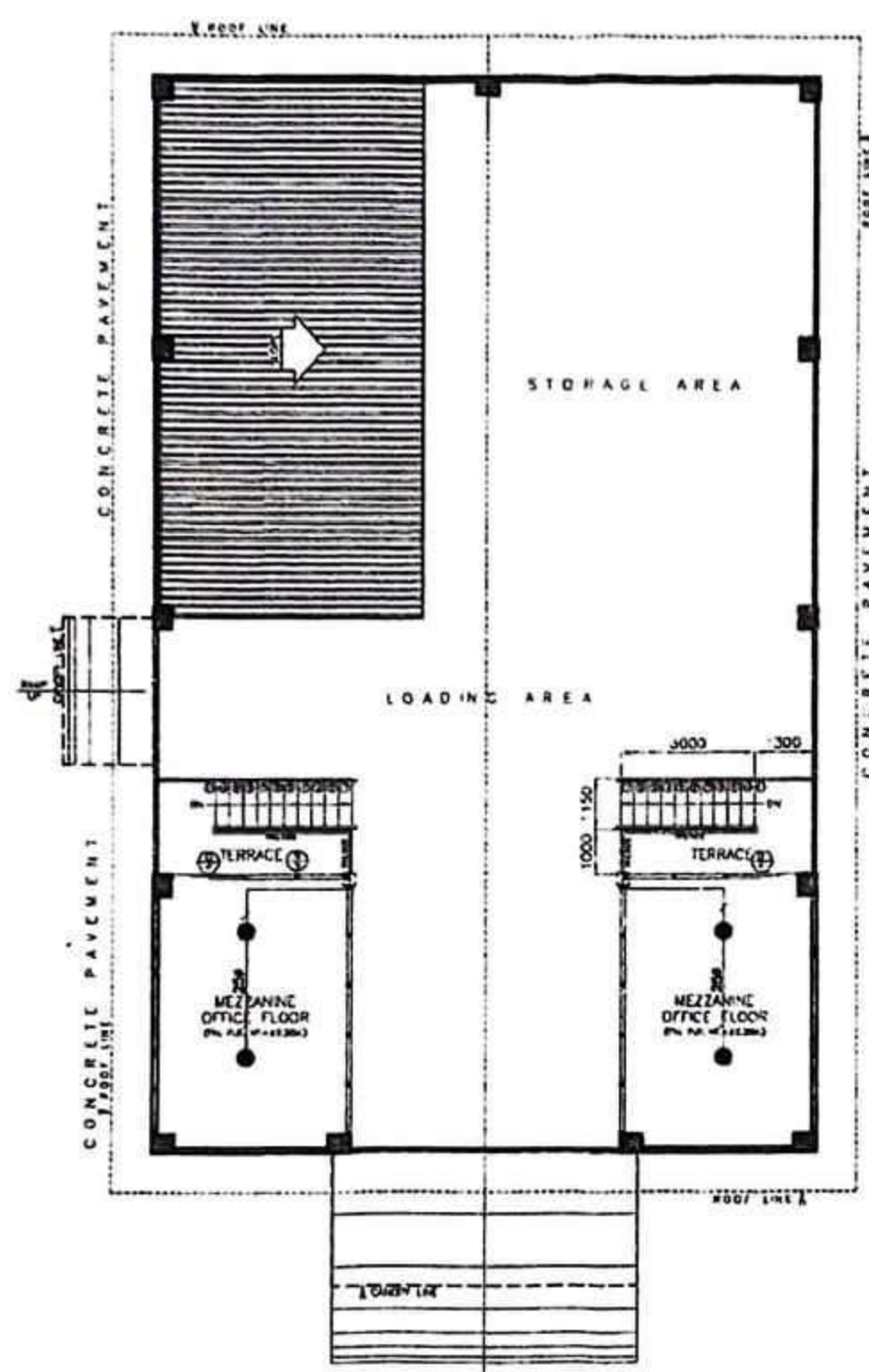
PENDENT SPRINKLER DETAIL
SCALE N.T.S.



DETAIL OF PIPE HANGER
SCALE N.T.S.



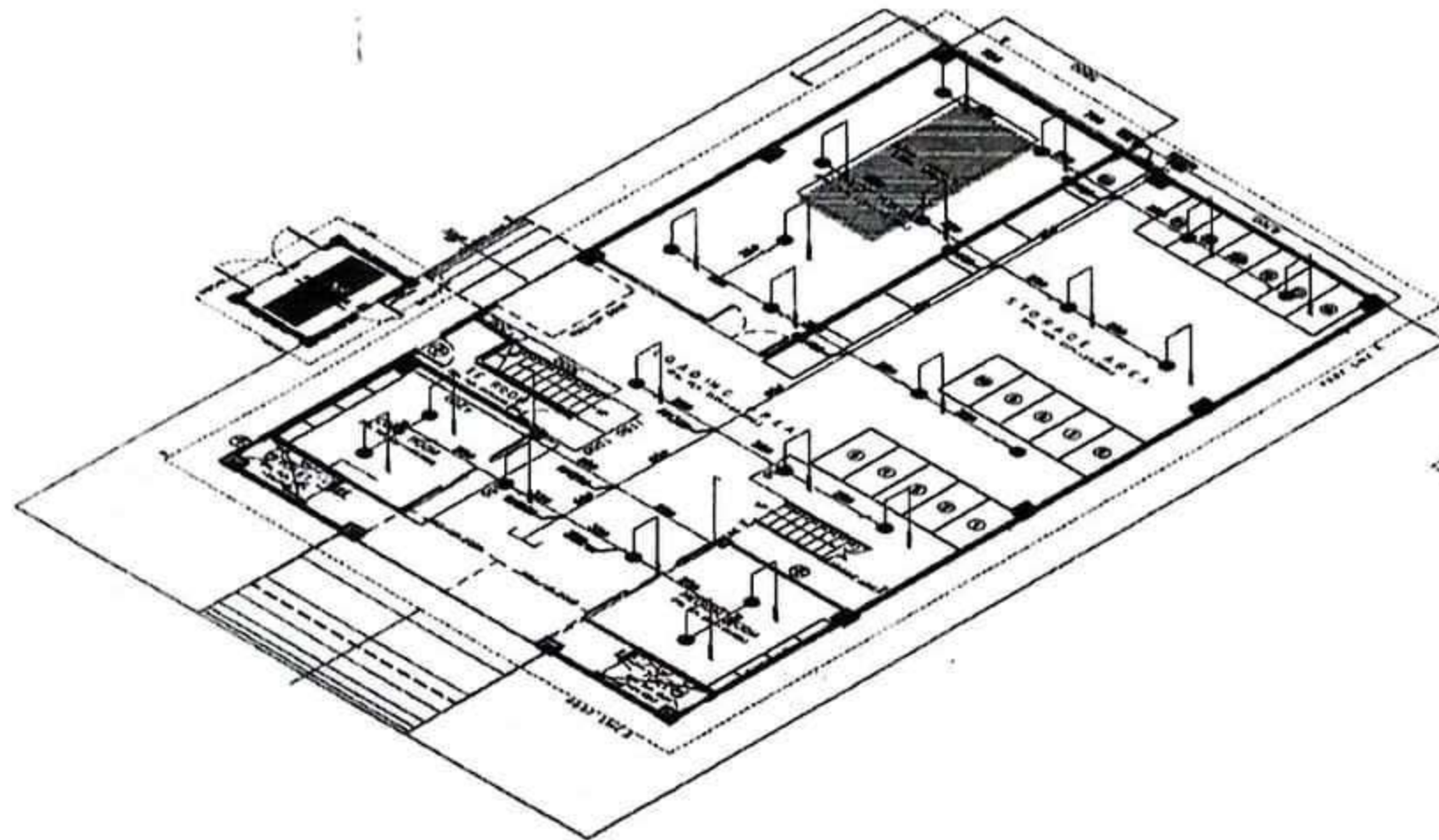
GROUND FLOOR FIRE PROTECTION LAYOUT
SCALE 1:100 MTS



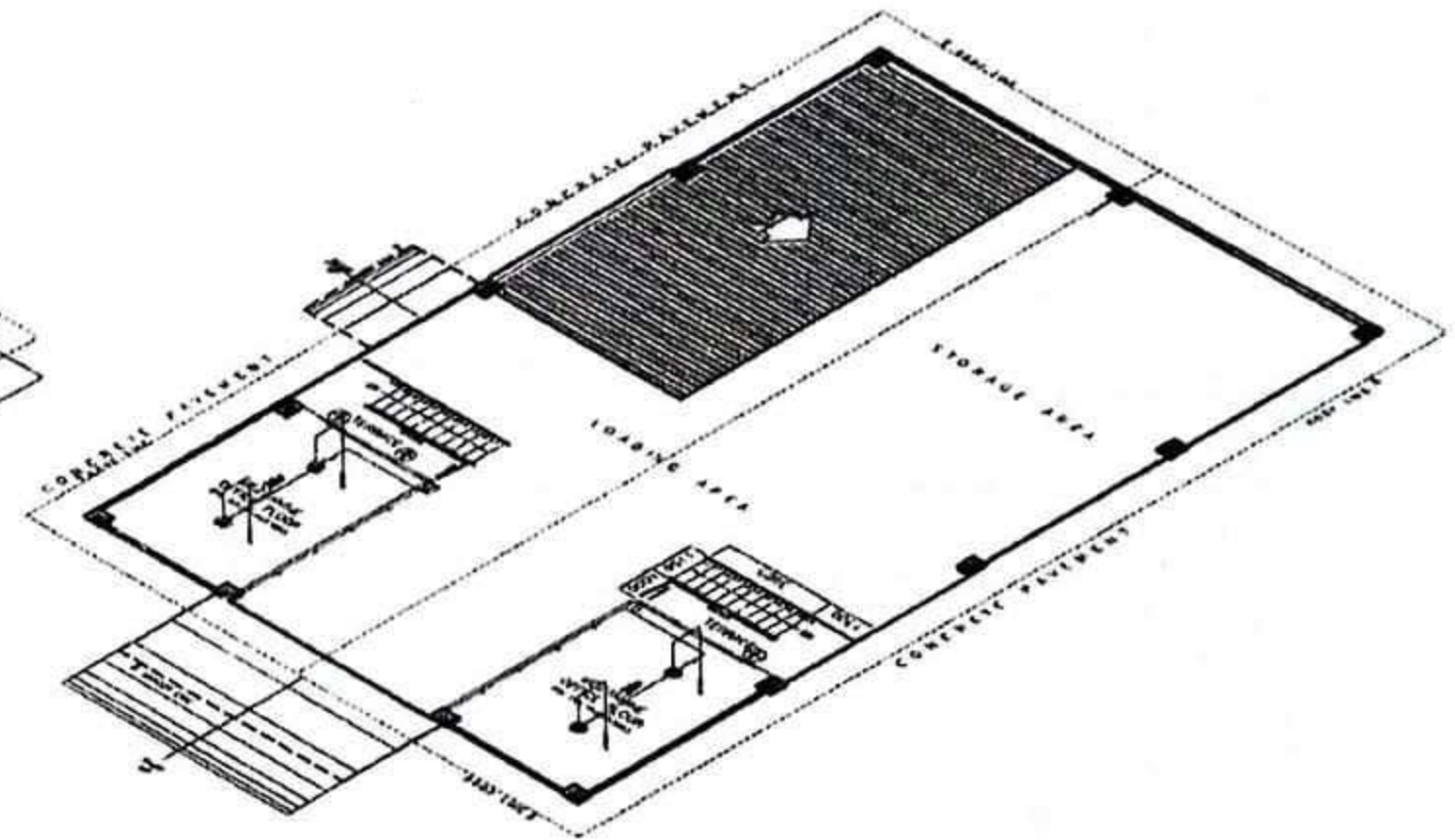
MEZZANINE FLOOR FIRE PROTECTION LAYOUT
SCALE 1:100 MTS



PROJECT TITLE: PROPOSED PROVINCIAL PHARMACEUTICAL AND LOGISTIC COMPLEX AT RAMON TABIANA MEMORIAL DISTRICT HOSPITAL	SEC. 33 DRAWINGS AS SPECIFICATIONS DULY SIGNED & SEALED OR STAMPED, AS AN INSTRUMENTS OF SERVICE, ARE THE PROPERTY & DOCUMENTS OF THE ARCHITECT. WHETHER THE OBJECT FOR WHICH THEY ARE MADE IS EXECUTED OR NOT, IT SHALL BE UNLAWFUL FOR ANY PERSON, WITHOUT THE WRITTEN CONSENT OF THE ARCHITECT OR AUTHOR OF SAID DOCUMENTS TO DUPLICATE OR TO MAKE COPIES OF SAID DOCUMENTS FOR USE IN THE REPETITION OF AND FOR OTHER PROJECTS OF BUILDINGS, WHETHER EXECUTED PARTLY OR IN WHOLE.	R.A. 9266 PREPARED BY: JOSE JOEL S. PARIS, JR. BUILDING INSPECTOR	CHECKED BY: RIC ARMANDO T. VALENZUELA MUNICIPAL ENGINEER	APPROVED BY: HON. ELIZALDE G. RUEYO MUNICIPAL MAYOR	SHEET CONTENTS AS SHOWN	SHEET NO. M/2 23/25 CADD by: CORTIZ Checked by: DATE:
---	--	---	---	--	----------------------------	--



GROUND FLOOR
FIRE PROTECTION ISOMETRIC DRAWING
SCALE 1:100MTS



MEZZANINE FLOOR
FIRE PROTECTION ISOMETRIC DRAWING
SCALE 1:100MTS

2023 - - No 245



PROJECT TITLE:

**PROPOSED PROVINCIAL PHARMACEUTICAL
AND LOGISTIC COMPLEX**
AT RAMON TABIANA MEMORIAL DISTRICT HOSPITAL

LOCATION: CABATUAN, ILOILO

SEC. 33

R.A. 9266

DRAWINGS AND SPECIFICATIONS ONLY SIGNED & SEALED OR STAMPED, AS INSTRUMENTS OF SERVICE, ARE THE PROPERTY & DOCUMENTS OF THE ARCHITECT. WHETHER THE OBJECT FOR WHICH THEY ARE MADE IS EXECUTED OR NOT, IT SHALL BE UNLAWFUL FOR ANY PERSON, WITHOUT THE WRITTEN CONSENT OF THE ARCHITECT OR AUTHOR OF SAID DOCUMENTS TO DUPLICATE OR TO MAKE COPIES OF SAID DOCUMENTS FOR USE IN THE REPEITION OF AND FOR OTHER PROJECTS OF BUILDINGS, WHETHER EXECUTED PARTIALLY OR IN WHOLE.

PREPARED BY:

JOSE JOEL S. PARIS, JR.

BUILDING INSPECTOR

CHECKED BY:

RIC ARMANDO T. VALENZUELA

MUNICIPAL ENGINEER

APPROVED BY:

HON. ELIZALDE G. RUEYO

MUNICIPAL MAYOR

SHEET CONTENTS

AS SHOWN

SHEET NO.

M/3 24/25

CADD by: CORTZ

Checked by:

DATE:

2.40

Republic of the Philippines
Province of Iloilo
OFFICE OF THE PROVINCIAL ENGINEERS
ILOILO CITY

Name of Project: _____

Location of Project: _____

Contractor: _____

Implementing Agency: _____

Appropriation: _____

Fund Source: _____

Contract Duration: _____

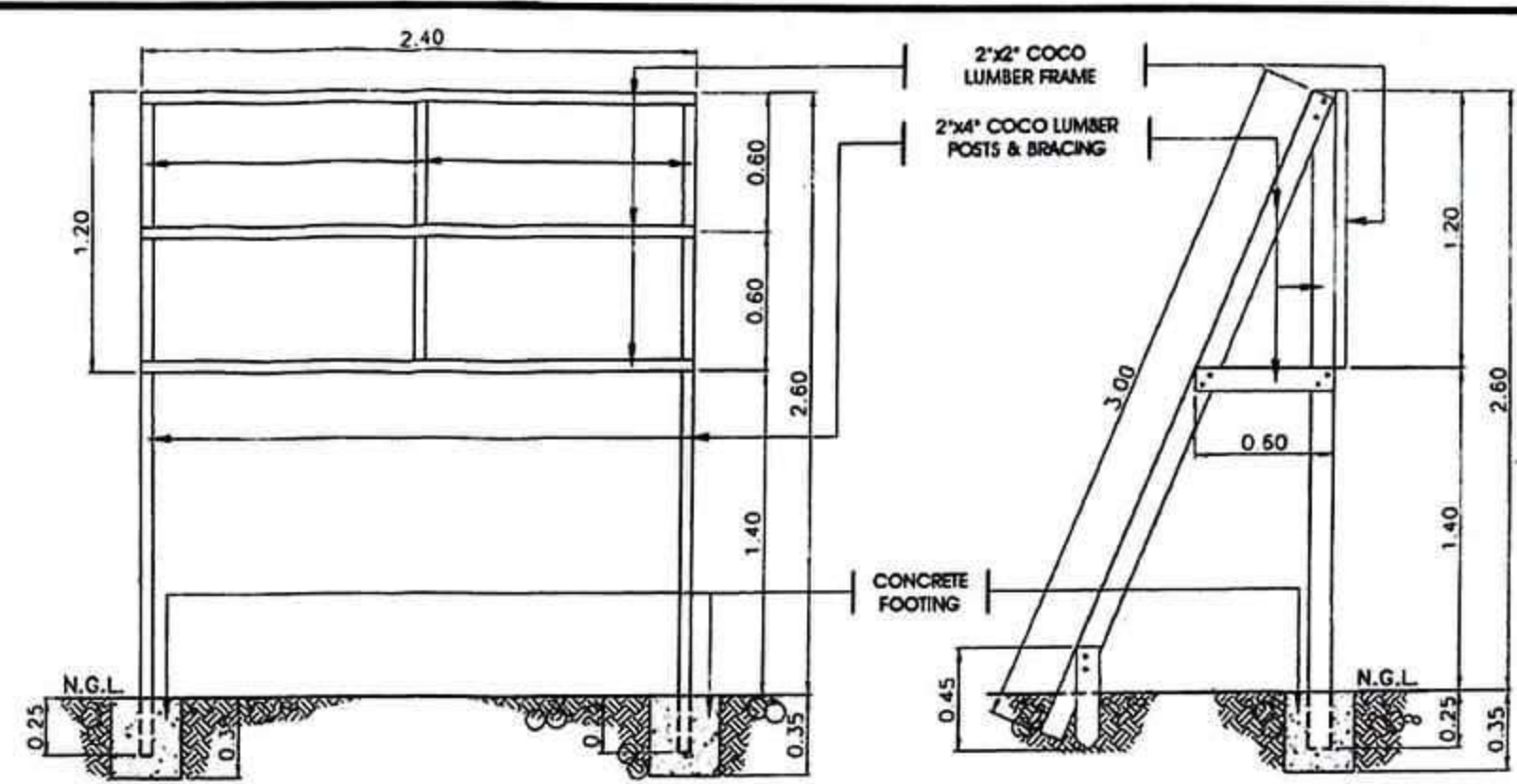
Project Starting Date: _____

Project Completion Date: _____

1.20

ANOTHER PRIORITY PROJECT OF THE ILOILO PROVINCIAL GOVERNMENT.

PEO PROJECT BILLBOARD DETAIL
SCALE 1:20 MTS.



PEO PROJECT BILLBOARD DETAIL
SCALE 1:40 MTS.

REPUBLIC OF THE PHILIPPINES
PROVINCE OF ILOILO
OFFICE OF THE BUILDING OFFICIAL

MUNICIPALITY OF CABATUAN

ARCHITECTURAL

2.40

Name of Agency
Business Address

Project: _____ Cost: _____

Location: _____ Fund Source/s: LP (WB), GOP, LGU

Implementing Agency/ies: _____

Development Partner/s: _____

Contractor Supplier: _____

Brief Description of Project: _____

Project Details:

Project Data			Project Status				Remarks
Duration	Started	Target Date of Completion	Percentage of Completion	As of (Date)	Cost Incurred to Date	Date Completed	

For particulars or complaints about this project, please contact the Regional Office or Cluster which has audit jurisdiction on this project:

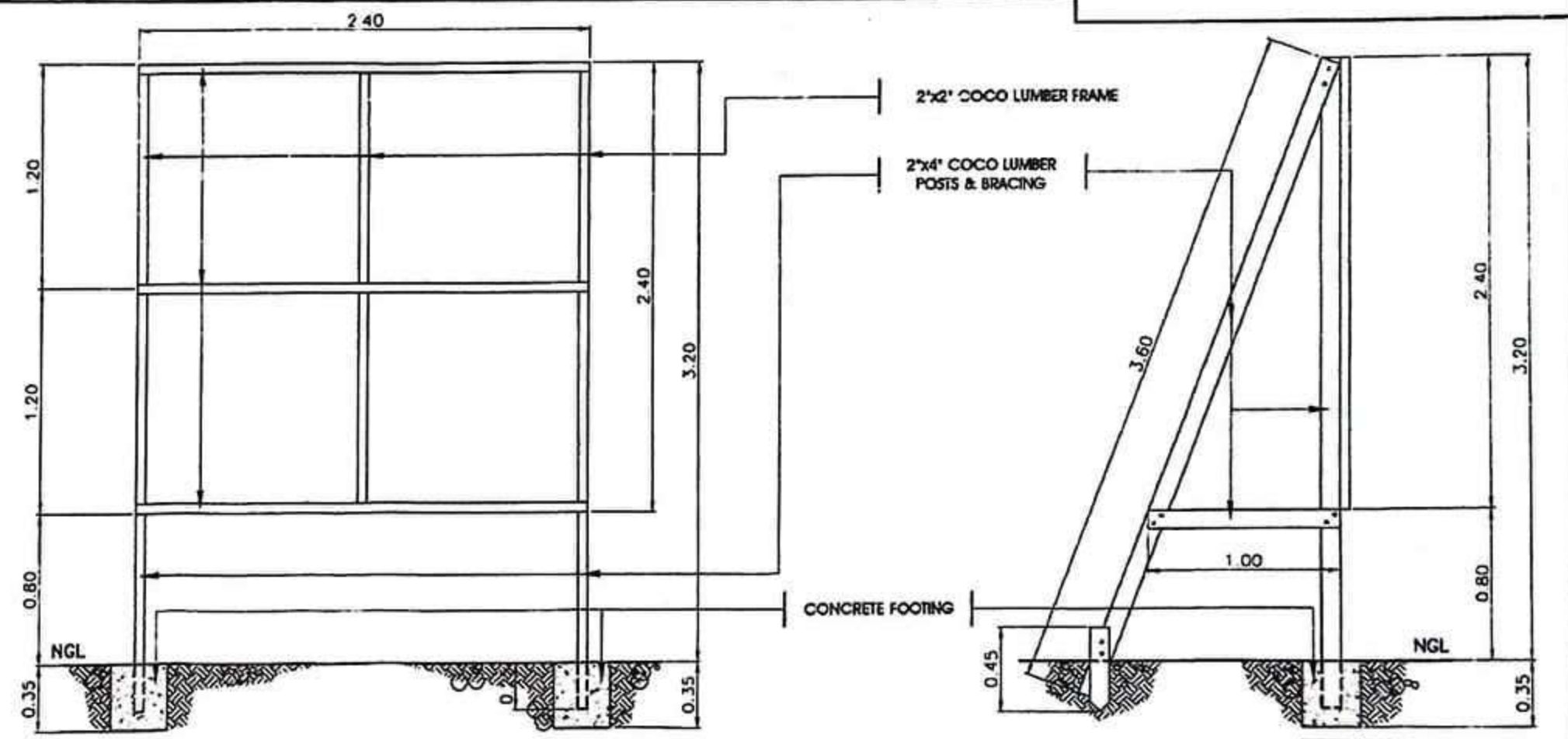
CDA Regional Office No./ Cluster: VI/8

Address: Commission on Audit VI, Audit Group E - Local Government Sector North, Bolo Province, 47, Provincial Capitol, Bolo City

Contact No.: (0733) 337-46-6 or Tele. CDA Cluster's Desk at 0813-6281197

2.40

COA PROJECT BILLBOARD DETAIL
SCALE 1:20 MTS.



COA PROJECT BILLBOARD DETAIL
SCALE 1:40 MTS.



PROJECT TITLE:
**PROPOSED PROVINCIAL PHARMACEUTICAL
AND LOGISTIC COMPLEX**
AT RAMON TABIANA MEMORIAL DISTRICT HOSPITAL

LOCATION: CABATUAN, ILOILO

SEC. 33 R.A. 9266

DRAWINGS AND SPECIFICATIONS DULY SIGNED & SEALED OR STAMPED, AS INSTRUMENTS OF SERVICE, ARE THE PROPERTY & DOCUMENTS OF THE ARCHITECT. WHETHER THE OBJECT FOR WHICH THEY ARE MADE IS EXECUTED OR NOT, IT SHALL BE UNLAWFUL FOR ANY PERSON, WITHOUT THE WRITTEN CONSENT OF THE ARCHITECT OR AUTHOR OF SAID DOCUMENTS TO DUPLICATE OR TO MAKE COPIES OF SAID DOCUMENTS FOR USE IN THE REPEITION OF AND FOR OTHER PROJECTS OF BUILDINGS, WHETHER EXECUTED PARTLY OR IN WHOLE.

PREPARED BY:
JOSE JOEL S. PARIS, JR.
BUILDING INSPECTOR

CHECKED BY:
RIC ARMANDO T. VALENZUELA
MUNICIPAL ENGINEER

APPROVED BY:
HON. ELIZALDE G. RUEYO
MUNICIPAL MAYOR

SHEET CONTENTS
AS SHOWN

SHEET NO.
PB 25/25
CADD by: CORTZ
Checked by:
DATE: